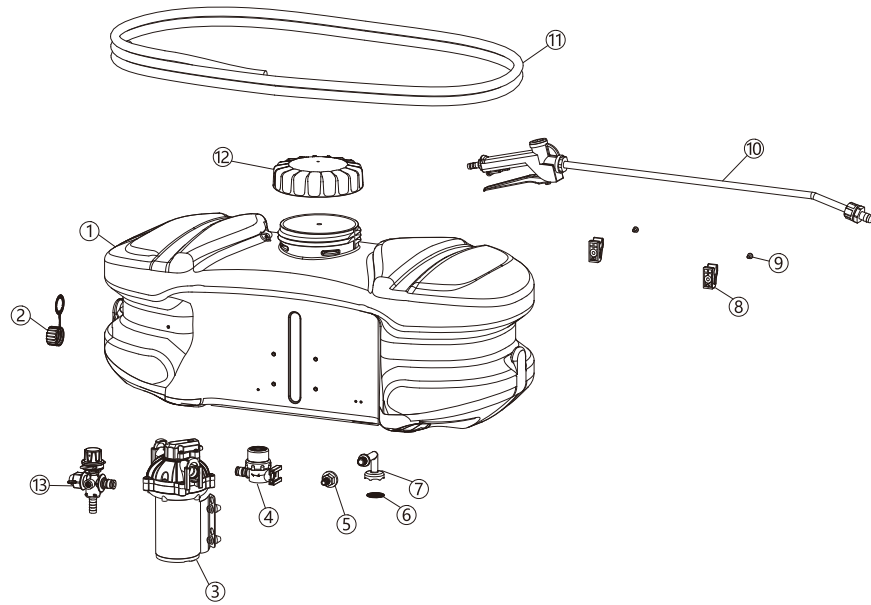
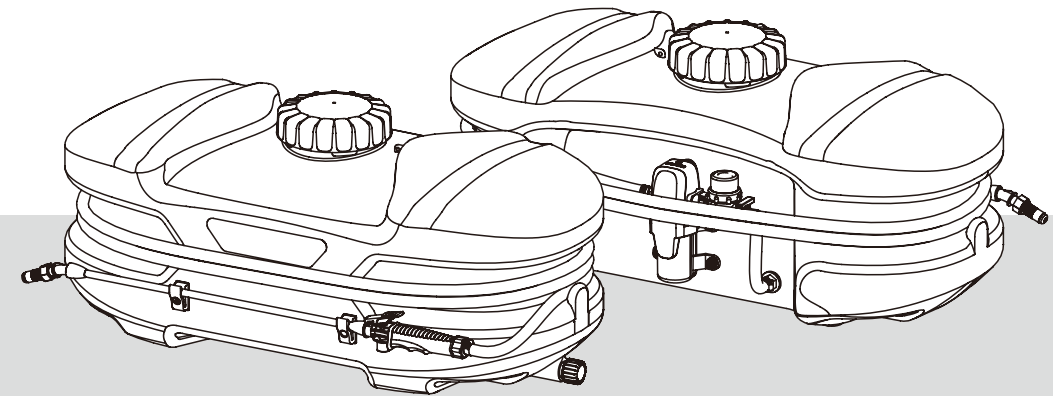




ATV SPOT SPRAYER MANUAL



Key	Description	Quantity
1	25 Gallon Tank (white)	1
2	Drain Plug Assembly	1
3	4.5GPM, 60PSI Pump	1
4	Filter	1
5	Sealing Ring Joint	1
6	Strainer Screen	1
7	Siphon Tube	1
8	Handgun Clips	2
9	Self-tapping Screws(pb5x10)	2
10	Spray Gun,0.7"(18mm)	1
11	Hose 3/8"x15ft	1
12	Tank Lid	1
13	Bypass Regulating Valve	1



Applicable for models:

VS02-G1523,VS02-G1522,VS02-G1535,
VS02-G2523,VS02-G2522,VS02-G2535,
VS02-G2543,VS02-G2552

GENERAL INFORMATION

Thank you for purchasing this product. The purpose of this manual is to assist you in operating and maintaining your lawn & garden spot sprayer.

▲ WARNING

To reduce the risk of injury, the user must read and understand this manual before using this product.

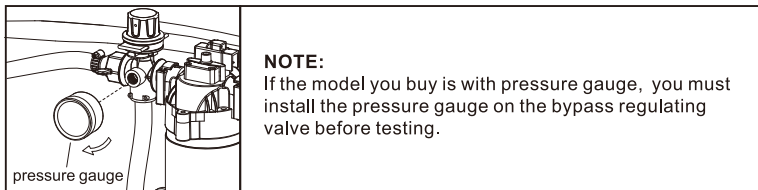
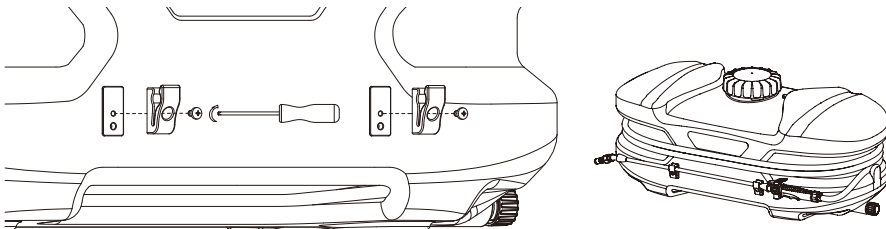
TECHNICAL SPECIFICATION

- 15 gallon or 25 gallon corrosion-resistant polyethylene tank
- 12 Volt diaphragm pump, VS02-G1523(1.2GPM,60PSI), VS02-G1522(1.5GPM,100PSI), VS02-G1535(2.0GPM,120PSI), VS02-G2523(1.2GPM,60PSI), VS02-G2522(1.5GPM,100PSI), VS02-G2535(2.0GPM,120PSI), VS02-G2543(2.4GPM,60PSI), VS02-G2552(4.5GPM,60PSI)
- Lever handgun or pistol grip handgun with 15 ft. hose
- 15 ft. max. vertical throw, 20 ft. horizontal throw

ASSEMBLY INSTRUCTIONS

Use screws to lock the two handgun clips on the tank, and attach the wand clips and hook up your battery leads to a fully charged 12 Volt battery.

- After assembly is complete and before testing your sprayer, make sure you connect the electrical hook-up to the end of your pump and clip the clips to a fully charged battery.
- The drain plug assembly should already be attached to the tank.



NOTE:
If the model you buy is with pressure gauge, you must install the pressure gauge on the bypass regulating valve before testing.

IMPORTANT

Remove tank lid and be sure the tank is clean and free of any foreign material.

Rinse tank out of any tank residue before filling with water to test.

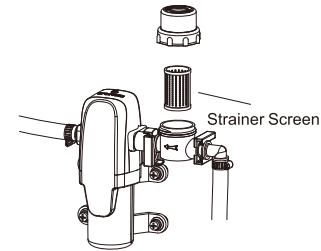
The spray gun has two states of spraying water and direct spraying. There are two situations when using it. Users should adjust the corresponding pressure valve according to their own needs.

1. The factory default atomization state, when the spray gun is in the atomization state, the outlet pressure is 50-60psi, the flow rate is small, the maximum cut-off pressure of the pump pressure is 100PSI, the water pump will easily shake, the pressure valve needs to be adjusted, and the pump should not shake when adjusting. It is ready to use.
2. When the spray gun is in the state of direct water discharge, the outlet flow rate is large, and the pressure will be relatively small. Generally, the water pump will not shake, and it can be used directly without adjusting the pressure valve.

TESTING THE SPRAYER

It is important that you test your sprayer for leakage and proper spray patterns with plain water before chemical application is attempted. This will also give you the opportunity to familiarize yourself with the operation of the sprayer.

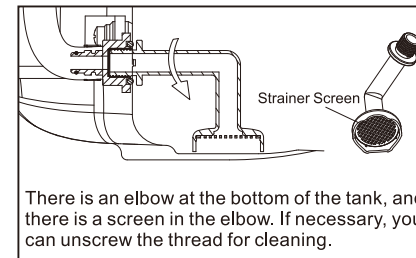
MAINTENANCE DURING/AFTER SPRAYING



Periodically check the strainer and clean the screen on your intake line.

Checking/Cleaning the sprayer's filter/screen:

- Empty the tank
- Unscrew the cap from the filter.
- Look in the cap you just unscrewed. There is a screen there.
- Remove the screen and clean as necessary. Replace when done and reassemble the entire assembly.



There is an elbow at the bottom of the tank, and there is a screen in the elbow. If necessary, you can unscrew the thread for cleaning.

Proper care and maintenance will prolong the life of your sprayer.

After use, drain the tank and store or dispose of chemical properly. Fill the sprayer half way with clean water. Start the pump and allow the water to pump through the entire plumbing system and nozzles. Drain and then refill half full, add the recommended amount of a good quality tank cleaner. If no tank cleaner is available, you may substitute dish soap for this step, about 1-2 oz. per gallon.

Turn pump on and circulate through system for 15 minutes and then spray out through handgun nozzle. Refill sprayer half way with clean water and repeat.

Follow the chemical manufacturer's disposal instructions of all wash or rinsing water.

If handgun nozzle needs cleaning, remove from the sprayer and soak in warm soapy water. Clean with a soft bristled brush or toothpick if necessary.

Never use a metal object. Even the slightest damage can change the flow rate and spray distribution. Water rinse and dry the tips before storing.

WARNING: Some chemicals will damage the pump valves if allowed to soak untreated for a length of time! ALWAYS flush the pump as instructed after each use. DO NOT allow chemicals to sit in the pump for extended times of idleness. Follow the chemical manufacturer's instructions on disposal of all waste water from the sprayer.

WINTER STORAGE

Prepare the sprayer for end-of-season storage by running RV antifreeze through the system. This will keep internal parts lubricated, protect against corrosion and keep the unit from freezing. Note: RV antifreeze is non-toxic and biodegradable and generally safer for the environment than automotive antifreeze.

Before storing your sprayer for winter or long term storage, thoroughly clean and drain it as much as possible. Then pour enough pink RV antifreeze into the tank so that when the pump is turned on you can pump the antifreeze throughout the entire plumbing system, including the bypass. Make sure to operate the handgun until you see pink fluid spraying from the nozzle. Leave any remaining antifreeze in the tank. Before your next usage, rinse the antifreeze from the sprayer with clean water.

It is nearly impossible to drain all of the water from the sprayer and any trapped water can freeze in cold weather and damage parts of the sprayer.

Pumping the antifreeze through the system will displace the water and help prevent this damage.

Removing from storage: drain the antifreeze. Fill the tank with fresh water and run through the system. Dispose of antifreeze and flush water properly.

TROUBLESHOOTING THE PUMP:

MOTOR DOES NOT RUN

- Check for loose wiring connection(s).
- Make sure the 'ON/OFF' switch in the lead wire assembly is in the 'ON' position. "I" is the 'ON' position and 'O' is the 'OFF' position.
- Check for defective pressure switch. Make sure you are connected to a good 12 volt power source. Make sure any on/off switches are in the 'on' position.
- Check the fuse.
- Check for low voltage at the power supply.

PUMP DOES NOT PRIME

- Check for air leaks in supply line.
- Check for defective check valve.
- Check for clogged strainer/filter.
- Check for cracks in the pump housing.

LOW PRESSURE/LOW FLOW

- Check for leaks in the discharge line.
- Check for debris in nozzle orifice.
- Check for clogged strainer.
- Check for proper voltage—try another 12-volt battery.

PULSATING FLOW (SURGING)

- Low flow may cause pump to surge.
- Spray wand is adjusted for a small or fine spray pattern.
- Slightly open bypass (if applicable) to overcome.
- If needed, pressure switch may need to be adjusted—adjust a quarter turn at a time clockwise until surging stops.
- Check for defective pressure switch.
- Check for leaks in the discharge line.
- Check for restriction in the discharge line.
- Check for debris in nozzle orifice.
- Discharge hose may be too long.
- Check for clogged strainer.

MOTOR CONTINUES TO RUN AFTER DISCHARGE IS SHUT OFF

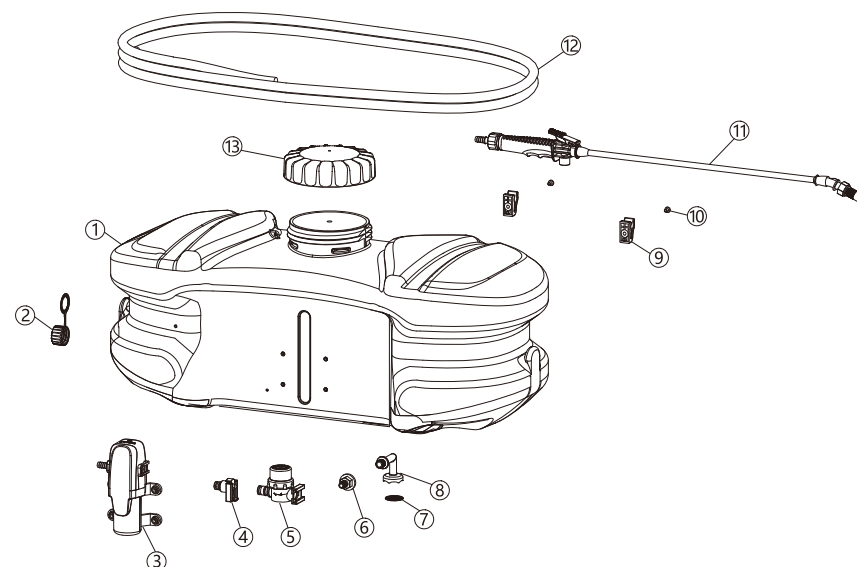
- Check for empty product supply.
- Check for low voltage.
- Check for leak in discharge line.
- Check for defective pressure switch.
- System has leaks.

FUSE BLOWS

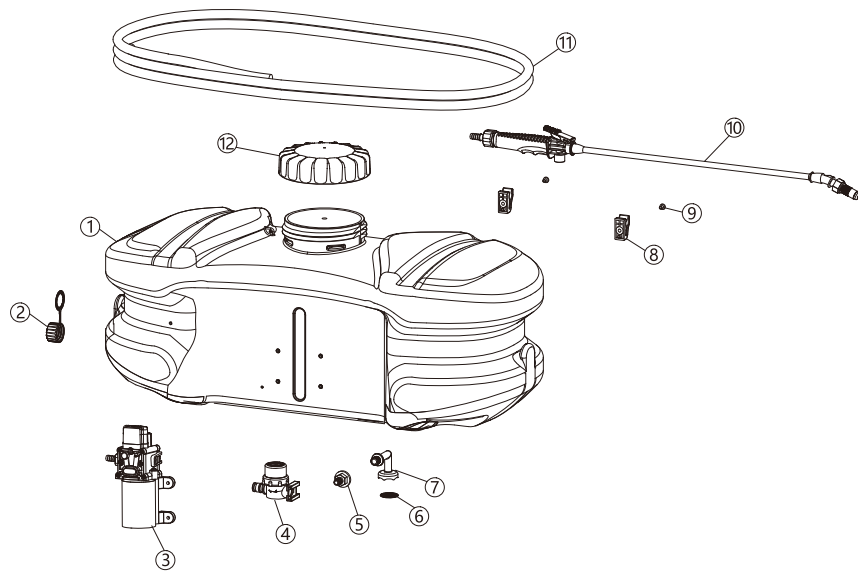
- Excessive voltage.
- Improper adjustment of pressure switch.
- Damaged or defective wiring harness.
- Defective pressure switch.

EXPLODED VIEW/PARTS LIST

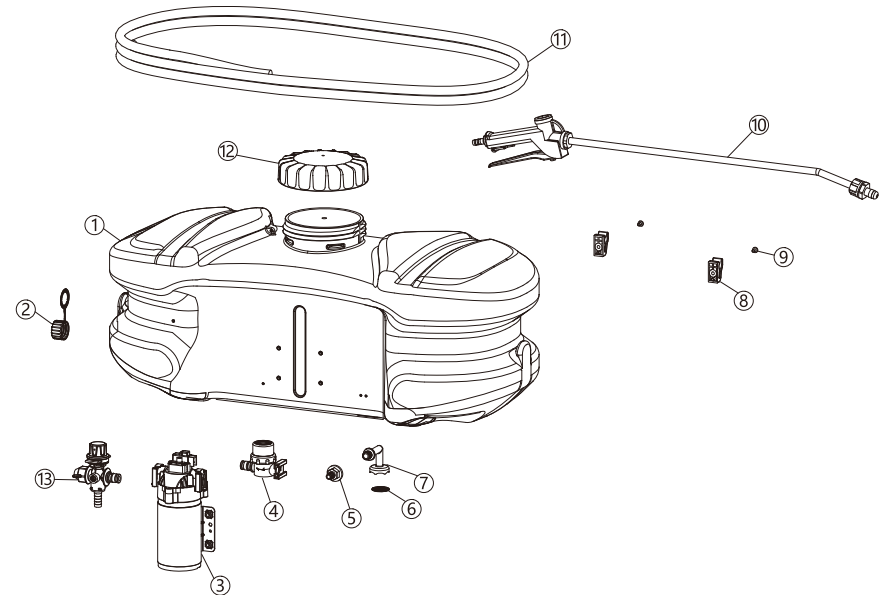
VS02-G1523



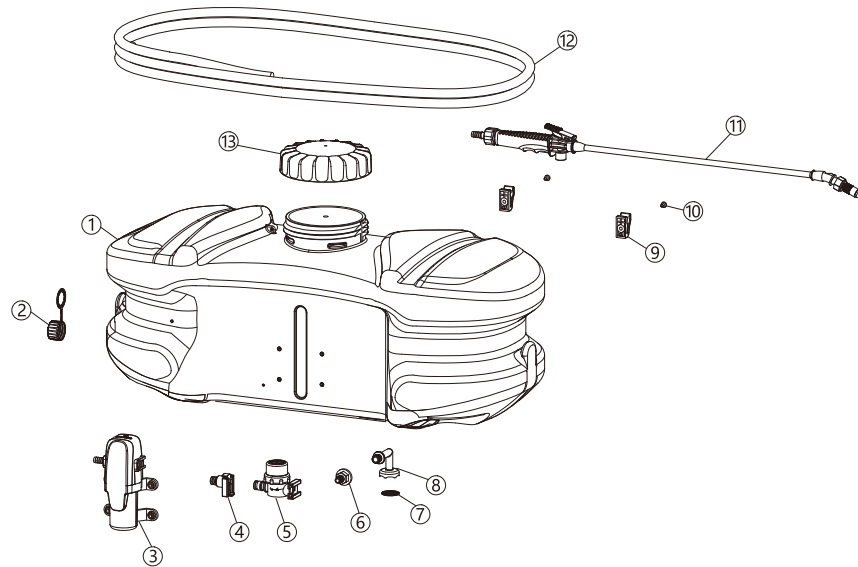
Key	Description	Quantity
1	15 Gallon Tank (white)	1
2	Drain Plug Assembly	1
3	1.2GPM, 60PSI Pump	1
4	Connector	1
5	Filter	1
6	Sealing Ring Joint	1
7	Strainer Screen	1
8	Siphon Tube	1
9	Handgun Clips	2
10	Self-tapping Screws(pb5x10)	2
11	Spray Gun,3/8"(9.6mm)	1
12	Hose 3/8"x15ft	1
13	Tank Lid	1



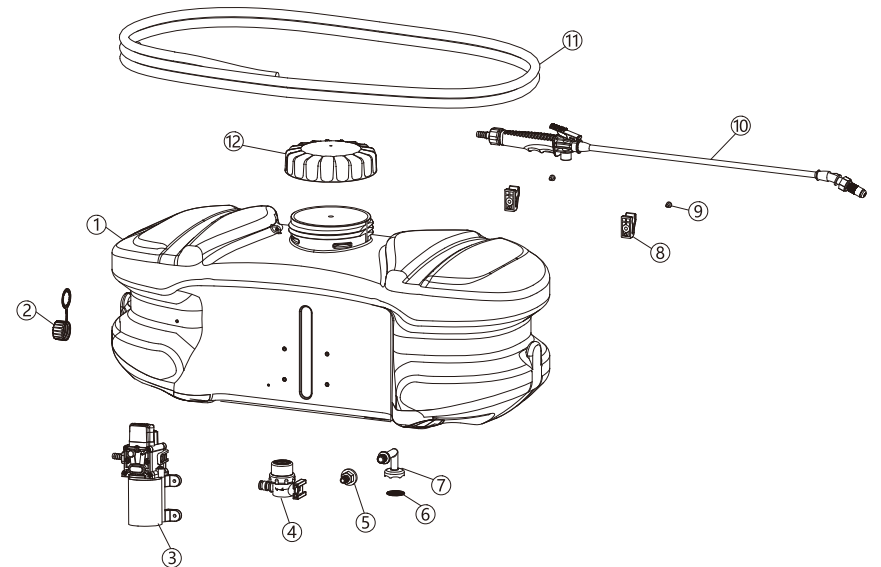
Key	Description	Quantity
1	15 Gallon Tank (white)	1
2	Drain Plug Assembly	1
3	1.5GPM, 100PSI Pump	1
4	Filter	1
5	Sealing Ring Joint	1
6	Strainer Screen	1
7	Siphon Tube	1
8	Handgun Clips	2
9	Self-tapping Screws(pb5x10)	2
10	Spray Gun, 3/8"(9.6mm)	1
11	Hose 3/8"x15ft	1
12	Tank Lid	1



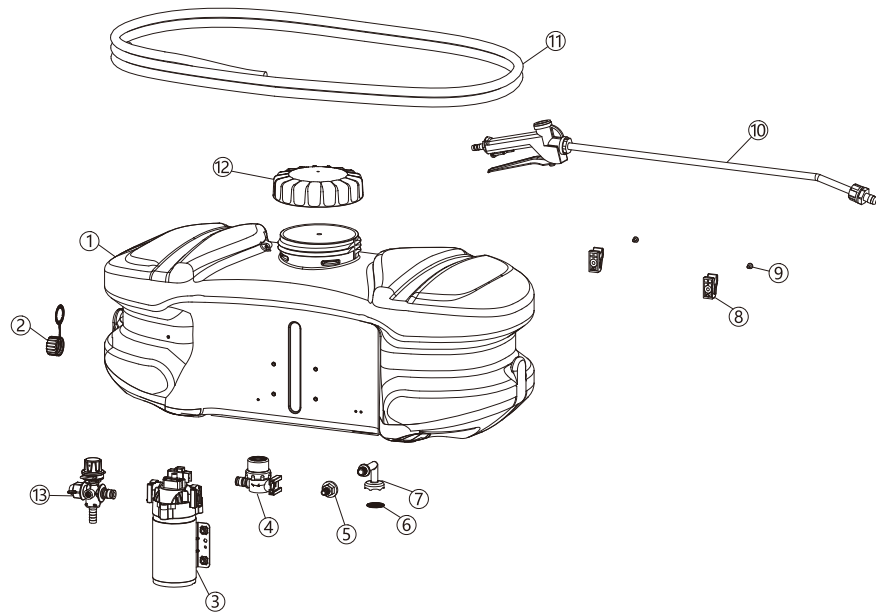
Key	Description	Quantity
1	15 Gallon Tank (white)	1
2	Drain Plug Assembly	1
3	2.0GPM, 120PSI Pump	1
4	Filter	1
5	Sealing Ring Joint	1
6	Strainer Screen	1
7	Siphon Tube	1
8	Handgun Clips	2
9	Self-tapping Screws(pb5x10)	2
10	Spray Gun, 0.7"(18mm)	1
11	Hose 3/8"x15ft	1
12	Tank Lid	1
13	Bypass Regulating Valve	1



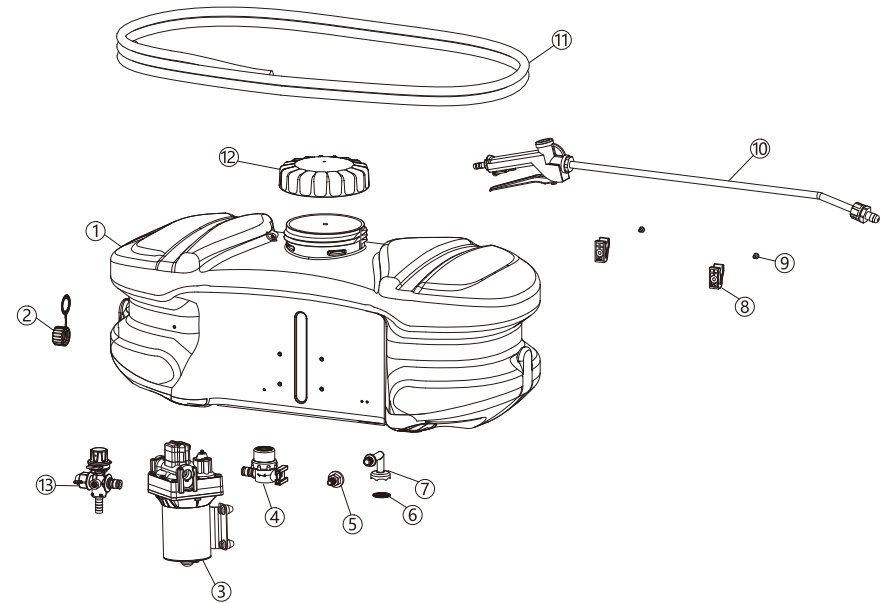
Key	Description	Quantity
1	25 Gallon Tank (white)	1
2	Drain Plug Assembly	1
3	1.2GPM, 60PSI Pump	1
4	Connector	1
5	Filter	1
6	Sealing Ring Joint	1
7	Strainer Screen	1
8	Siphon Tube	1
9	Handgun Clips	2
10	Self-tapping Screws(pb5x10)	2
11	Spray Gun,3/8"(9.6mm)	1
12	Hose 3/8"x15ft	1
13	Tank Lid	1



Key	Description	Quantity
1	25 Gallon Tank (white)	1
2	Drain Plug Assembly	1
3	1.5GPM, 100PSI Pump	1
4	Connector	1
5	Filter	1
6	Sealing Ring Joint	1
7	Strainer Screen	1
8	Siphon Tube	1
9	Handgun Clips	2
10	Self-tapping Screws(pb5x10)	2
11	Spray Gun,3/8"(9.6mm)	1
12	Hose 3/8"x15ft	1
13	Tank Lid	1



Key	Description	Quantity
1	25 Gallon Tank (white)	1
2	Drain Plug Assembly	1
3	2.0GPM, 120PSI Pump	1
4	Filter	1
5	Sealing Ring Joint	1
6	Strainer Screen	1
7	Siphon Tube	1
8	Handgun Clips	2
9	Self-tapping Screws(pb5x10)	2
10	Spray Gun,0.7"(18mm)	1
11	Hose 3/8"x15ft	1
12	Tank Lid	1
13	Bypass Regulating Valve	1



Key	Description	Quantity
1	25 Gallon Tank (white)	1
2	Drain Plug Assembly	1
3	2.4GPM, 60PSI Pump	1
4	Filter	1
5	Sealing Ring Joint	1
6	Strainer Screen	1
7	Siphon Tube	1
8	Handgun Clips	2
9	Self-tapping Screws(pb5x10)	2
10	Spray Gun,0.7"(18mm)	1
11	Hose 3/8"x15ft	1
12	Tank Lid	1
13	Bypass Regulating Valve	1